

SYSTEM COMPONENTS

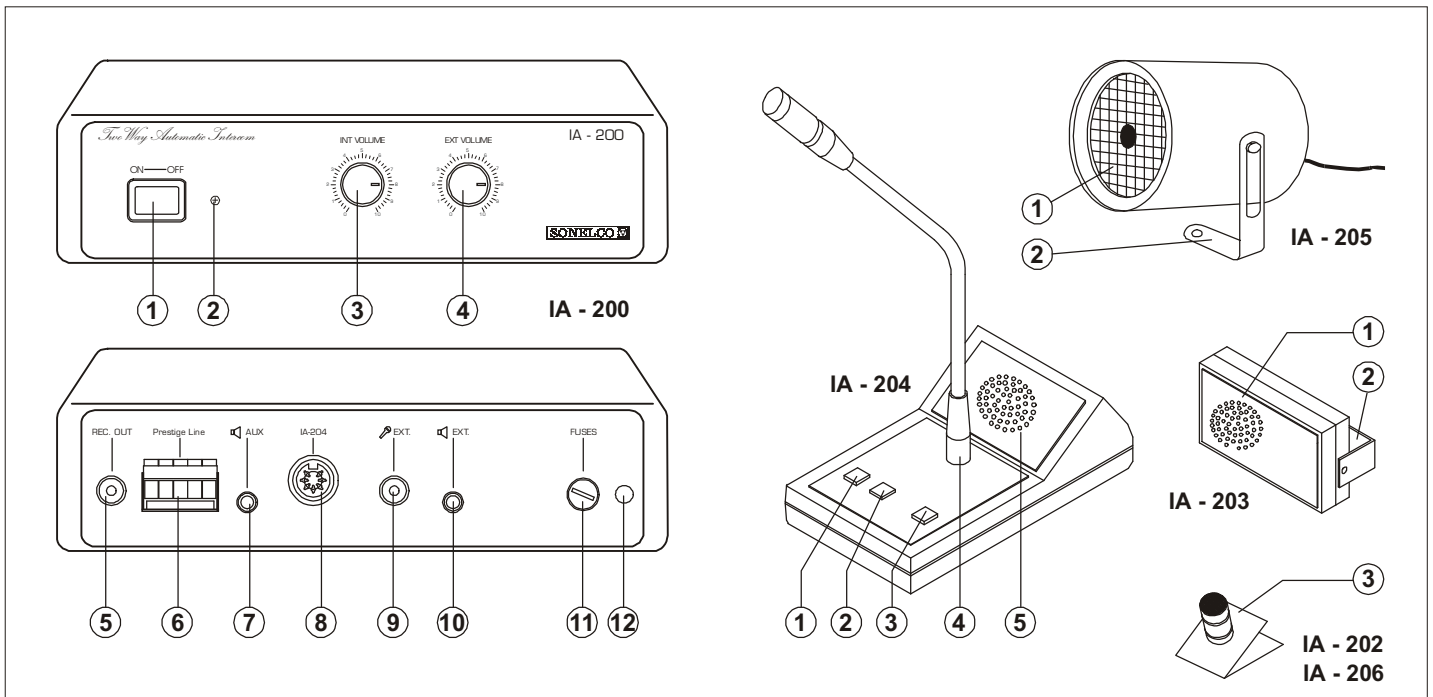
- IA-200** Central control, amplification, supply and intercommunication unit. This is installed in the lower part of the booth although if it is not normally used it can be fitted further away from the work post.
- IA-202** Outside microphone unit. This is placed outside the booth. It is best to place it on the lower part, directed so that it correctly picks up the sound of the person speaking outside the booth.
- IA-203** Outside loudspeaker unit. This is fitted outside the booth. It is best to place it higher up, directed so that it can be heard correctly by the person on the outside of the booth, but without the sound being picked up by the outside microphone IA-202.

IA-204 Internal unit, including microphone, loudspeaker, outside level duplication pushbutton and pushbuttons for calls to the Intercommunication and Loudspeaking Installation. This unit must be installed on the inside of the booth, near to the work post.

The minimum configuration of the installation for one post is one unit of each model (IA-200 + IA-202 + IA-203 + IA-204). Optionally another IA-203 loudspeaker unit can be connected for the inside of the booth in those cases where the loudspeaker incorporated in the IA-204 is not going to be used.

IA-205 Outside loudspeaker unit. It may be used instead of IA-203

IA-206 Internal microphone unit. It is like the model IA-202 but with a connector for placement inside. (In that case, it must be used with a speaker IA-203 or IA-205.



IA-200

- 1 - General power switch
- 2 - Connection indicator led from unit to mains
- 3 - Inside volume adjustment
- 4 - Outside volume adjustment
- 5 - CINCH audio outlet connector. To connect to outside tape-recorder.
- 6 - Terminal strip for connection to the 4000 Series Sound System.
- 7 - 3.5 mm. jack for auxiliary loudspeaker (type IS-203) or for earphones.
- 8 - DIN 8c 45° connector for connection to unit IC-204.
- 9 - CINCH connector for connection to unit IA-202.
- 10 - 3.5 mm. jack connector for connection to unit IA-203.
- 11 - Protection fuse for connection of unit to mains.
- 12 - 200 V. mains cable.

IA-204

- 1 - Message sending pushbutton to area 1 (connected to 4000 Series)
- 2 - Message sending pushbutton to area 2 (connected to 4000 Series)
- 3 - Pushbutton to increase the outside audio signal by +3dB.
- 4 - One-direction electret microphone of the cashier's inside unit
- 5 - Outlet loudspeaker of the outside audio signal.

IA-202 + IA-203

- 1 - Outside audio outlet loudspeaker
- 2 - Movable fastening bracket
- 3 - Omnidirectional electret microphone

IA-205

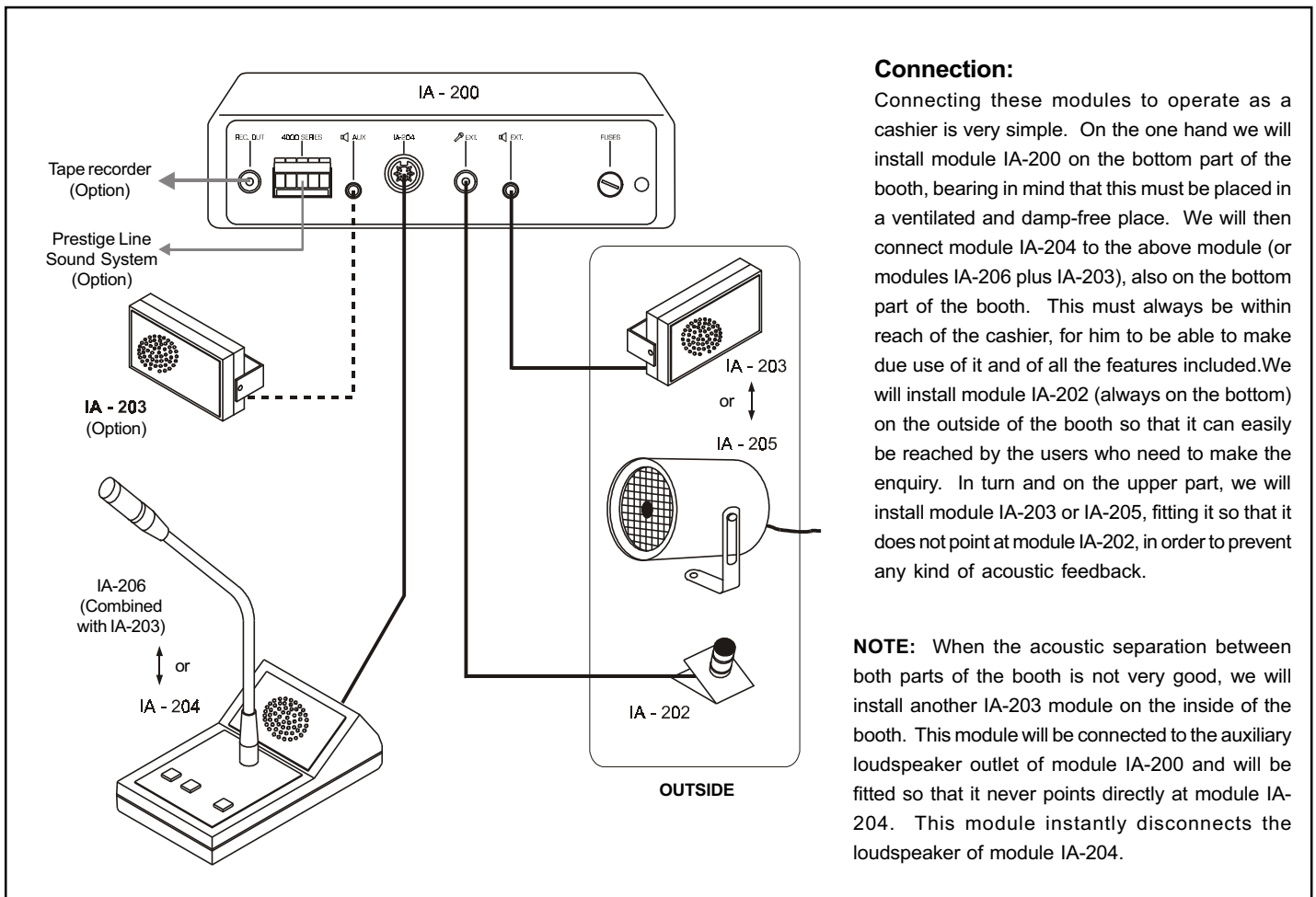
- 1 - Outside audio outlet loudspeaker
- 2 - L-Shape supplied bracket

TECHNICAL CHARACTERISTICS

- 220 V AC supply (110 V AC on request)
- Consumption: 4 W
- Output power: 1.5 W RMS on both channels
- Frequency response: 300 Hz - 10 KHz (-3dB)
- Recording outlet level: 150 mV
- Output level for Prestige Line (terminal 7): 3 V RMS
- Input level for Prestige Line (terminal 7): 3 V RMS
- Outlet for activating area Z1 - Z2: 15 V

MEASUREMENTS (Width x Height x Depth in mm):

- IA-200 : 210 x 50 x 155
- IA-202 : 45 x 20 x 35
- IA-203 : 90 x 50 x 40
- IA-204 : 90 x 50 x 145 (without micro flexible cable 400 mm)
- IA-205 : Ø 90 x 120
- IA-206 : 45 x 20 x 35



Connection:

Connecting these modules to operate as a cashier is very simple. On the one hand we will install module IA-200 on the bottom part of the booth, bearing in mind that this must be placed in a ventilated and damp-free place. We will then connect module IA-204 to the above module (or modules IA-206 plus IA-203), also on the bottom part of the booth. This must always be within reach of the cashier, for him to be able to make due use of it and of all the features included. We will install module IA-202 (always on the bottom) on the outside of the booth so that it can easily be reached by the users who need to make the enquiry. In turn and on the upper part, we will install module IA-203 or IA-205, fitting it so that it does not point at module IA-202, in order to prevent any kind of acoustic feedback.

NOTE: When the acoustic separation between both parts of the booth is not very good, we will install another IA-203 module on the inside of the booth. This module will be connected to the auxiliary loudspeaker outlet of module IA-200 and will be fitted so that it never points directly at module IA-204. This module instantly disconnects the loudspeaker of module IA-204.

START-UP

- 1- Connection of modules IA-202, IA-203 and IA-204 to Cashier module IA-200. If it were necessary we would connect another module IA-203 on the inside of the booth.
- 2- Connect mains cable to a 220 V. electrical socket.
- 3- Move the mains switch to ON position and check that the ignition LED comes on.
- 4- Adjust the outside and inside volume to half and check that the inside-outside communication can be established.
- 5- If we wish to record the conversation, we will connect the recording outlet to an outside tape-recorder.
- 6- If we wish to adapt this module to the Prestige Line sound system installation, we will connect the connection strip according to the enclosed diagrams.
- 7- If we wish to send a message to area 1, we will use area 1 pushbutton on module IA-204 and we will send the message through the microphone of the inside module.
- 8- If we wish to send a message to area 2, we will use area 2 pushbutton on module IA-204 and we will send the message through the microphone of the inside module.
- 9- If we wish to momentarily increase the audio outlet towards the outside cashier module IA-203, we will use +3dB pushbutton of module IA-204.

OPERATION INCIDENTS

- A) **IF THE IGNITION LED DOES NOT COMES ON**, check that the mains switch is on ON position. Check the state of the fuse and make sure current reached the mains socket.
- B) **IF WE CANNOT ESTABLISH INSIDE-OUTSIDE COMMUNICATION**, check that the connections between the different modules are correct. Also check that the volume potentiometers are not on 0.
- C) **IF THERE IS NO RECORDING OUTLET**, check that the connection between the recording outlet and the source which enables us to record has been made correctly.
- D) **IF WE CANNOT SEND OR RECEIVE MESSAGES TO AND FROM THE AREAS**, check that the connection between the Prestige Line adaptation strip and the other intercom modules have been made correctly (according to diagram). Check that the connection between module IA-200 and module IA-204 is correct.
- E) **IF THERE IS FEEDBACK BETWEEN INSIDE AND OUTSIDE** check that the outside loudspeaker module (mod. IA-203) is not pointing directly at the outside microphone module (mod. IA-202). Move the flexible arm of the microphone of module IA-204 so that it does not point at the module loudspeaker. Check that the volume potentiometers are under 10 at the same time. If the acoustic separation between the inside cashier module and the outside cashier module is not good, a loudspeaker module can be connected to the auxiliary loudspeaker outlet of module IA-200.

CONNECTION TO THE SOUND SYSTEM INSTALLATION

- A standard connection diagram with the Prestige Line is enclosed. Any sound system installation fitter can easily connect your automatic intercom system IA-200 to any Prestige Line installation.
- If the sound system installation is specially complex, do not hesitate to contact our Technical Department who will help you solve the connection.